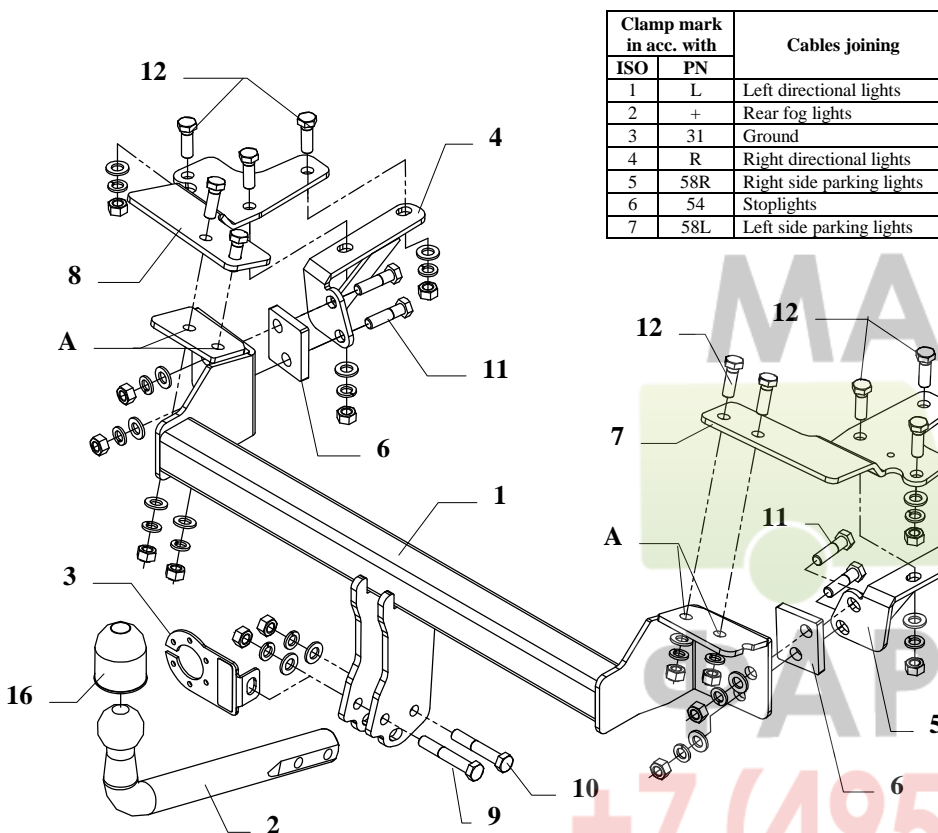


## FITTING INSTRUCTION



This towbar is designed to assembly in following car: **SUZUKI LIANA, 4 doors**, produced since 2002 till 2007, catalogue number **W20** and is prepared to tow trailers max total weight **1200 kg** and max vertical load **75 kg**.

### From manufacturer

Thank you for buying our product. Their reliability has been confirmed in many tests. Reliability of towbar depends also on correct assembly and right operation. For this reasons we kindly ask to read carefully this instruction and apply to hints.

*The towbar should be install in points described by a car producer.*

## The instruction of the assembly

1. Disassemble rear light and bumper, remove fulfillment of the bumper.
2. Disassemble side, rear panels from boot.
3. Install main bar of the towbar (pos. 1) to rear panel of the car through original holes together with handles pos. 4 and 5 and distance plates pos. 6 using bolts M12x45mm (pos. 11).
4. Through holes pos. A drill holes in rear panel using bit  $\varnothing 13\text{mm}$ . From inside put fish-plates pos. 7 and 8 – see drawing.
5. From inside of boot drill lack holes with bit  $\varnothing 13\text{mm}$ . Twist on by bolts as shown on the drawing.
6. Fix tow-ball (pos. 2) and socket plate (pos. 3) by bolts M12x75mm (pos. 9) and M12x70mm (pos. 10) from accessories.
7. Tighten all bolts according to the torque shown in the table.
8. For models 2002-2004 with spoilers on bumpers : cut in central part of the bumper fragment: width 50mm and depth 150mm.
9. For models since year 2004 (from chassis serial number JSAERA31S00200001): cut fragment of the bumper using supplied template.
10. Reassemble all dismantled elements.
11. Connect electric wires of 7-pole socket according to the instruction of the car. (Recommend to make at authorized service station)
12. Complete paint layer damaged during installation.

Torque settings for nuts and bolts (8,8):

<b>M6</b> - 11 Nm	<b>M8</b> - 25 Nm	<b>M10</b> - 50 Nm
<b>M12</b> - 87 Nm	<b>M14</b> - 138 Nm	<b>M16</b> - 210 Nm

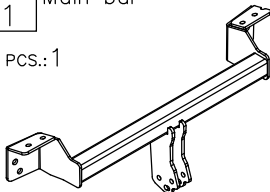
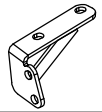
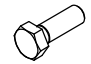
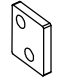
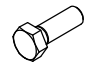
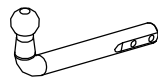
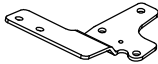

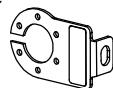
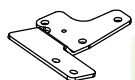

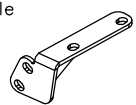
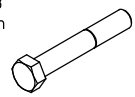

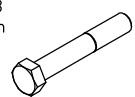

### NOTE

After install the towbar you should get adequate note in registration book (at authorised service station).The car should be equipped with:

- Indicators
- Tow mirrors

After 1000km of exploitation check all bolts and nuts. The ball of towbar must be always kept clear and conserve with a grease.

## Towbar accessories:

Pos. 1 Main bar PCS.: 1	Pos. 5 Left handle PCS.: 1	Pos. 11 Bolt 8,8 B M12x45mm PCS.: 4
		
	Pos. 6 Distance fish-plate PCS.: 2	Pos. 12 Bolt 8,8 B M12x35mm PCS.: 10
		
Pos. 2 Tow ball PCS.: 1	Pos. 7 Right fish-plate PCS.: 1	Pos. 13 Plain washer ø13mm PCS.: 16
		
Pos. 3 Socket plate PCS.: 1	Pos. 8 Left fish-plate PCS.: 1	Pos. 14 Spring washer ø12,2mm PCS.: 16
		
Pos. 4 Right handle PCS.: 1	Pos. 9 Bolt 8,8 B M12x75mm PCS.: 1	Pos. 15 Nut 8 B M12 PCS.: 16
		
	Pos. 10 Bolt 8,8 B M12x70mm PCS.: 1	Pos. 16 Ball cover PCS.: 1
		



**PPUH AUTO-HAK Sp.J.**

Produkcja Zaczepów Kulowych  
Henryk & Zbigniew Nejman  
76-200 SŁUPSK ul. Słoneczna 16K  
tel/fax (059) 8-414-414; 8-414-413  
E-mail: [office@autohak.com.pl](mailto:office@autohak.com.pl)  
[www.autohak.com.pl](http://www.autohak.com.pl)

## Towing hitch (without electrical set)

Class: **A50-X** Cat. no. **W20**

Designed for:  
Manufacturer: **SUZUKI**

Model: **LIANA**

Type: **4 doors**  
produced since 2002 till 2007

Technical data:

**D-value: 6,9 kN**

maximum trailer weight: **1200 kg**

maximum vertical cup load: **75 kg**

**Approval number according to Directive 94/20/EC: e20\*94/20\*1191\*00**

## Foreword

This towbar is designed according to rules of safety traffic regulations. The towing hitch is a safety component and must be installed only by qualified personnel. Any alteration or conversion to the towing hitch is prohibited and would lead to cancellation of design certification. Remove insulating compound and underseal from vehicle (if present) in the area of the matting surfaces of the towing hitch.

The vehicle manufacturer's specifications regarding trailer load and max. vertical cup load are decisive for driving, and values for the towing hitch must not be exceeded.

*D-value formula:*

$$\frac{\text{Max trailer weight [kg]} \times \text{Max vehicle weight [kg]}}{\text{Max trailer weight [kg]} + \text{Max vehicle weight [kg]}} \times \frac{9,81}{1000} = D \text{ [kN]}$$